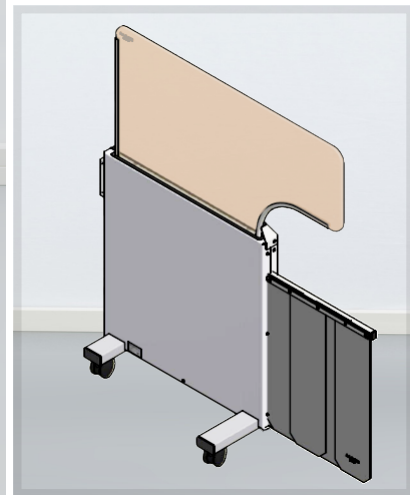


190 cm

143 cm

**Model:** WD304

Mobile radiation protection shield (lower part in Pb 1.00 mm), with a transparent and height-adjustable lead acrylic panel (in Pb 0.50 mm), and additional lower, radiation protective strips (in Pb 0.50 mm)

Made in Germany



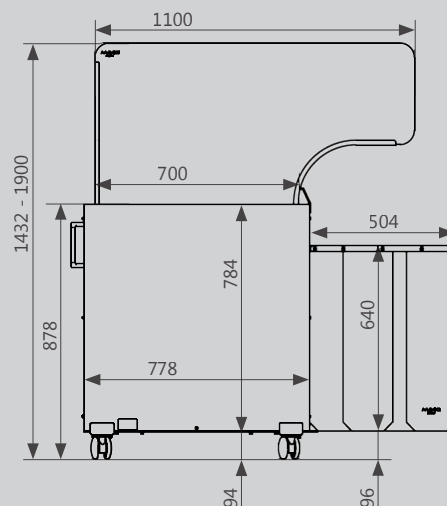
WD304 – Radiation Protective Mobile Shield

Radiation Protection for Medical Professionals

The adjustable mobile shield with a special contour cut-out can be placed over the body of the patient, effectively reducing secondary radiation emanating from the patient's body.

In addition to the mobile radiation protective shield WD302, the WD304 offers a removable undertable protection consisting of flexible overlapping radiation protective strips with a lead equivalent of 0.50 mm.

- Mobile with smooth electroconductive rolling casters for easy maneuverability
- Appropriate for special applications in interventional radiology
- Height adjustable transparent upper panel from 143 to 190 cm
- Upper transparent panel made of lead acrylic with Pb 0.50 mm
- Lower body part consists of a steel body with a protection of Pb 1.00 mm
- Flexible overlapping radiation protective strips with Pb 0.50 mm
- Steel body part lacquered in medico-white (RAL 9002)



MAVIG GmbH

X-Ray Protection and
Medical Suspension Systems

Stahlgruberring 5
81829 Munich
Germany

Phone +49 (0) 89 / 420 96 - 0
Fax +49 (0) 89 / 420 96 - 200
e-Mail info@mavig.com
www.mavig.com

ТОВ "ОНКОМЕДИКА"

Уповноважений представник в Україні
01014, Україна, м. Київ,
вул. Звіринецька, 63
+38 (044) 228 84 17
+38 (097) 959 10 89
info@oncomedica.ua
www.oncomedica.ua
www.mavig.com.ua