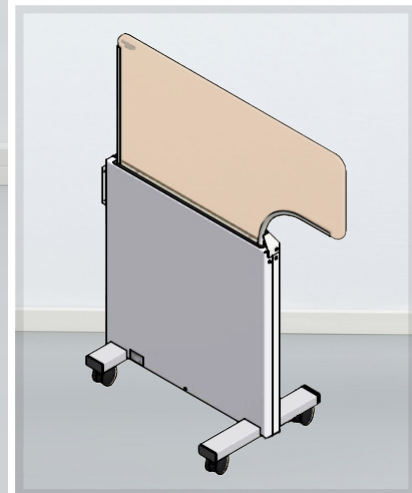


EN

WD302

190 cm

143 cm



Model: WD302

Mobile radiation protection shield (lower part in Pb 1.00 mm), with a transparent and height-adjustable lead acrylic panel (in Pb 0.50 mm)

Made in Germany

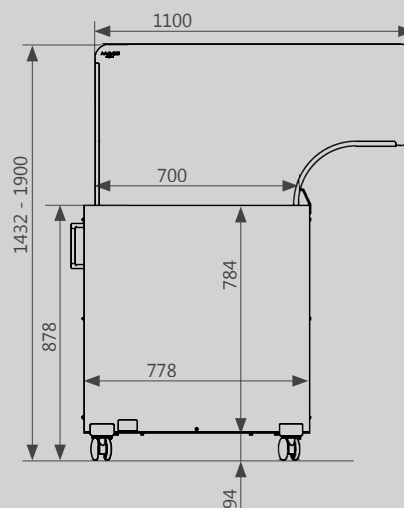


WD302 – Radiation Protective Mobile Shield

Radiation Protection for Medical Professionals

The adjustable mobile shield with a special contour cut-out can be placed over the body of the patient, effectively reducing secondary radiation emanating from the patient's body.

- Mobile with smooth electroconductive rolling casters for easy maneuverability
- Appropriate for special applications in interventional radiology
- Height adjustable transparent upper panel from 143 to 190 cm
- Upper transparent panel made of lead acrylic with Pb 0.50 mm
- Lower body part consists of a steel body with a protection of Pb 1.00 mm
- Steel body part lacquered in medico-white (RAL 9002)



MAVIG GmbH

X-Ray Protection and Medical Suspension Systems

Stahlgruberring 5
81829 Munich
Germany

Phone +49 (0) 89 / 420 96 - 0
Fax +49 (0) 89 / 420 96 - 200
e-Mail info@mavig.com
www.mavig.com

ТОВ "ОНКОМЕДИКА"

Уповноважений представник в Україні
01014, Україна, м. Київ,
вул. Звіринська, 63
+38 (044) 228 84 17
+38 (097) 959 10 89
info@oncomedica.ua
www.oncomedica.ua
www.mavig.com.ua