

EN

# WD257 G-Series / Lead Glass

188 cm

115 cm



#### Accessory Rail (optional)

WD25720G, 7.7 x 25 mm  
 WD25721G, 9 x 25 mm  
 WD25722G, 10 x 25 mm



**Model Variants:** WD2571G

Mobile shield with a transparent & height-adjustable lead glass panel and a lead equivalent of 1.00 mm Pb for the steel body / 0.50 mm Pb for the lead glass panel

WD2572xG

Mobile shield similar to WD2571G, with accessory rail

Made in Germany

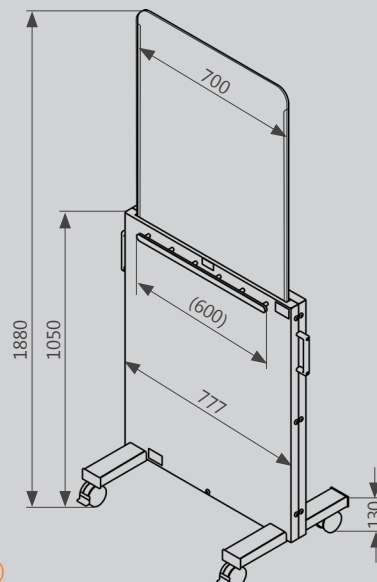


## WD257 – Height-Adjustable, Mobile X-Ray Protective Shield

**The True Allrounder in Radiation Protection:** A classic model for multi-modality radiological personal protection where upper and lower body protection are combined in one mobile system.

The upper section of the WD257 G-Series is now available with a transparent, laminated & break-resistant lead glass panel (0.50 mm Pb). The lower shield section is comprised of a steel body with a pure-white (RAL 9010) varnished finish. The base has a Pb value of 1.00 mm and measures 78 x 95 cm (W x H). The shield is adjustable in height from 115 cm (minimum height of the shield) to 188 cm (maximum height of the shield). In both cases, the measurements are from the upper edge of the shield to the floor. The lead glass panel is easily height-adjustable and retracts within its steel base.

- Mobile with smooth rolling, electroconductive casters for easy maneuverability
- Special base design that requires minimal space yet still provides maximum tip-resistance
- Easily adjustable lead glass panel, for quick patient access while providing radiation protection to healthcare staff in multi-modality imaging environments
- Optional: Accessory rail for equipment up to 4.0 kg (only WD2572xG)



#### MAVIG GmbH

X-Ray Protection and  
 Medical Suspension Systems

Stahlgruberring 5  
 81829 Munich  
 Germany

Phone +49 (0) 89 / 420 96 - 0  
 Fax +49 (0) 89 / 420 96 - 200  
 e-Mail [info@mavig.com](mailto:info@mavig.com)  
[www.mavig.com](http://www.mavig.com)

#### ТОВ "ОНКОМЕДИКА"

Уповноважений представник в Україні  
 01014, Україна, м. Київ,  
 вул. Звіринська, 63  
 +38 (044) 228 84 17  
 +38 (097) 959 10 89  
[info@oncomedica.ua](mailto:info@oncomedica.ua)  
[www.oncomedica.ua](http://www.oncomedica.ua)  
[www.mavig.com.ua](http://www.mavig.com.ua)