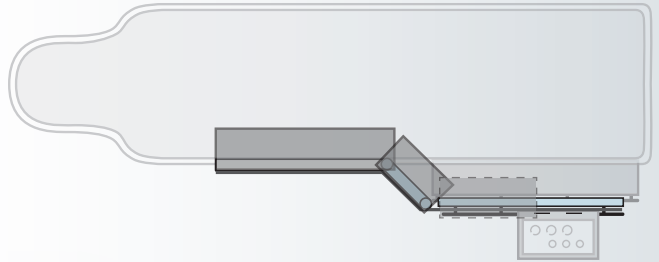


EN

UT70



A Modular Lower Body Protection
For Multiple Applications

MAVIG

UT70

The UT70 table mounted shield offers flexibility with maximum protection.

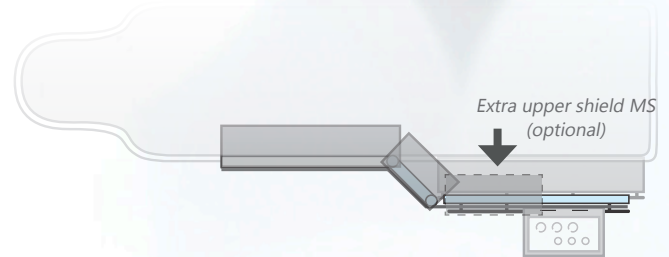
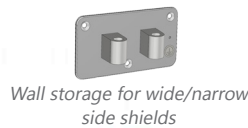
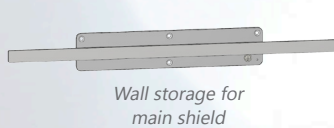
The modular design of the lower body protection: All components are interchangeable to give you the option to decide what amount of protection is needed and from which side of the table (possible mounting position: left or right).

The up-to-date wide X-ray protective lower body table shield does not only protect the doctor, but the assistant as well. An additional accessory rail has been built into the shield to give the needed space for table and C-Arm controls, as well as other required equipment.

NEW The **outer cover** of the flexible X-ray protective shields is now made of the recyclable material **TPU** (thermoplastic polyurethane). This material is extremely resistant to tension and tearing, phthalate-free and can be easily disinfected with commercially available cleaning agents.

The material's compatibility with the radiation protection material has been proven in climatic chamber tests. In addition, the TPU material guarantees an enormously **long service life** thanks to a new, **patented manufacturing process** (high-frequency welding).

- ✓ Lower body X-ray protection with a lead equivalent of 0.50 mmPb for all shields/panels
- ✓ Main shield (MS) can be combined individually with additional side shields and upper shields, up to max. 1620 mm width
- ✓ Available for the following table profile rails: 7.7 x 25 mm (GE), 9 x 25 mm (Toshiba/Canon) und 10 x 25 mm (Philips/Siemens)
-> Please notice the minimum length of the table rail of 600 mm for a proper installation of the UT70.
- ✓ Additional front accessory rail to match your table profile rail
- ✓ Optional wall mounts for storage

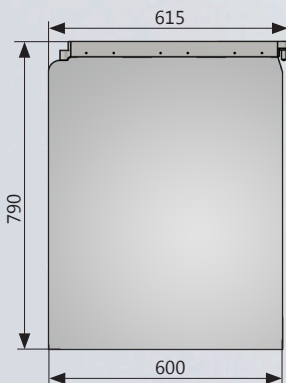


UT70 Components

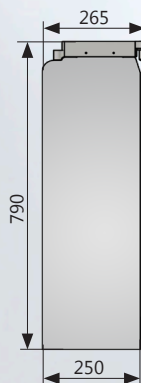
The modular UT70 consists of the following components which can be combined individually. We are happy to assist.

Lower Body Components

Wide Side Shield - WS
(weight: 4.55 kg)

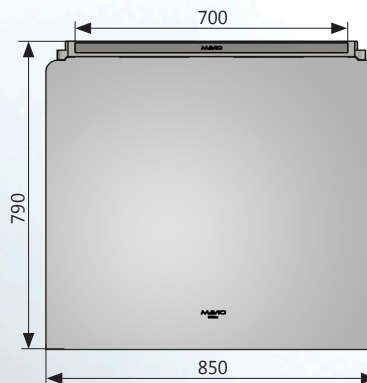


Narrow Side Shield - NS
(weight: 1.7 kg)



Main Shield - MS
(weight: 7.55 kg)

Always use! = Minimal setup.

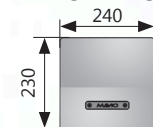


Upper Parts

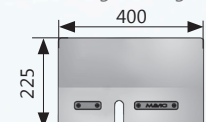
Wide Upper Shield
(weight: 1.8 kg)



Small Upper Shield
(weight: 0.6 kg)



Extra Upper Shield for MS
(weight: 1.2 kg)



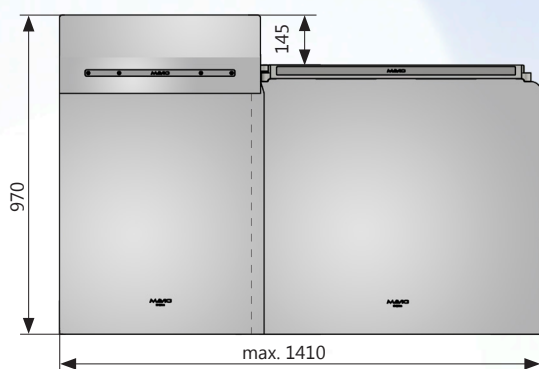
Standard-/Example Configuration

UT70 (Standard: recommended minimum protection)

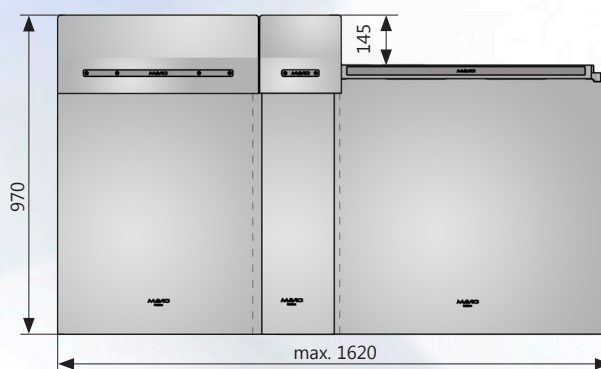
- Total width: up to 1410 mm
- Two overlapping, flexible X-ray protective shields (main shield + wide side shield)
- One removable upper shield (wide)

UT70 (Maximum of protective area)

- Total width: up to 1620 mm
- Three overlapping, flexible X-ray protective shields (main shield + narrow side shield + wide side shield)
- Two removable upper shields (narrow + wide)



Article-No.: UT70-77WS with 7.7 mm accessory rail
 UT70-90WS with 9 mm accessory rail
 UT70-10WS with 10 mm accessory rail



Article-No.: UT70-77NSWS with 7.7 mm accessory rail
 UT70-90NSWS with 9 mm accessory rail
 UT70-10NSWS with 10 mm accessory rail

UT70-77

UT70-77NS

UT70-77NSNS

UT70-77NSWS

UT70-77WS

Article Number	Description	Components* (1 x each)
UT70-77NSWS	Lower body protection UT70 with 7.7 mm accessory rail	MS, NS, WS
UT70-90NSWS	Lower body protection UT70 with 9 mm accessory rail	MS, NS, WS
UT70-10NSWS	Lower body protection UT70 with 10 mm accessory rail	MS, NS, WS
UT70-77	Lower body protection UT70, main section only with 7.7 mm accessory rail	MS
UT70-90	Lower body protection UT70, main section only with 9 mm accessory rail	MS
UT70-10	Lower body protection UT70, main section only with 10 mm accessory rail	MS
UT70-77NS	Lower body protection UT70, 2 parts, with 7.7 mm accessory rail	MS, NS
UT70-90NS	Lower body protection UT70, 2 parts, with 9 mm accessory rail	MS, NS
UT70-10NS	Lower body protection UT70, 2 parts, with 10 mm accessory rail	MS, NS
UT70-77NSNS	Lower body protection UT70, 3 parts, with 7.7 mm accessory rail	MS, NS, NS
UT70-90NSNS	Lower body protection UT70, 3 parts, with 9 mm accessory rail	MS, NS, NS
UT70-10NSNS	Lower body protection UT70, 3 parts, with 10 mm accessory rail	MS, NS, NS
UT70-77WS	Lower body protection UT70, 2 parts, with 7.7 mm accessory rail	MS, WS
UT70-90WS	Lower body protection UT70, 2 parts, with 9 mm accessory rail	MS, WS
UT70-10WS	Lower body protection UT70, 2-part, with 10 mm accessory rail	MS, WS
E-UT70U030	Wide upper shield, single	(WS)
E-UT70U050	Narrow upper shield, single	(NS)
E-UT70U080	Extra upper shield for main shield, single	(MS)
E-UT70W010	Wall mount for main section	(MS)
E-UT70W020	Wall mount for wide and narrow side panel(s)	(NS, WS)

* The side panel components are always supplied with a suitable upper shield.



MAVIG GmbH Headquarters

PO Box 82 03 62
81803 Munich
Germany

Stahlgruberring 5
81829 Munich
Germany

Phone +49 (0) 89 420 96 0
Fax +49 (0) 89 420 96 200
e-Mail info@mavig.com

WORLDWIDE MAVIG OFFICES

Nordic & Baltic Countries MAVIG Nordic

Stockholm
Sweden

Phone +46 (0) 722 25 25 68
e-Mail larsson@mavig.com

Benelux, GB, Ireland MAVIG B.V.

Mercuriusweg 86
2516 AW Den Haag
Netherlands

Phone +31 (0) 70 33 11 688
Mobile +31 (0) 61 595 43 48
e-Mail simmonds@mavig.nl

France MAVIG France SARL

66, Ave. des Champs Elysées
F-75008 Paris
France

Phone +33 (0)1 30 59 46 23
Fax +33 (0)1 30 59 46 23
e-Mail info@mavig.fr

Southeast Europe MAVIG Southeast Europe

Ljubljana
Slovenia

Phone +386 (40) 6 33 900
e-Mail dejak@mavig.com

China MAVIG Healthcare Beijing Co., Ltd.

Room #1010, Floor 9
#609 Wang Jing Yuan
Chaoyang District
Beijing 100102, P.R.China

Phone +86 - 10 - 64 78 19 21
Fax +86 - 10 - 64 78 19 21
Mobile +86 - 13 70 122 85 86
e-Mail zhang@mavig.com

REPRESENTATION

USA & Canada

Ti-Ba Enterprises, Inc.

25 Hytec Circle
Rochester, NY 14606
USA

Phone +1 (585) 247 1212
Fax +1 (585) 247 1395
e-Mail mavigusteam@mavig.com

Middle East & Northern Africa

Mena Medical Development

Ashrafieh – Adlieh Square – Alfaras St.
- Alboustany Building, 5th floor
Beirut
Lebanon

Phone +961 14 23 499
Fax +961 14 26 499
e-Mail mavig@mena-md.com

Україна

ТОВ "ОНКОМЕДИКА"

Уповноважений представник в Україні

01014, Україна, м. Київ, вул. Звіринська, 63

Телефон +38 (044) 228 84 17
+38 (097) 796 71 30
+38 (097) 959 10 89
e-мейл info@oncomedica.ua

www.oncomedica.ua
www.mavig.com.ua

www.mavig.com