

EN GD60

Rotation (330°)

Extension Arm (1000 mm)

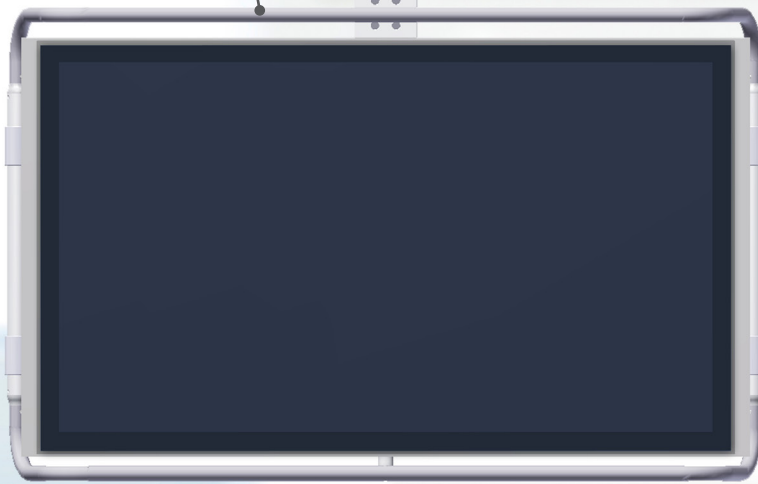
Rotation (330°)

Spring Arm (1240 mm)

Monitor Support

for large screens up to 60" and a maximum weight load of up to 120.0 kg / 264.5 lbs

Rotation (330°)



MAVIG



Optionally prepared for monitor(s) in the back

Article Number:
(according to specific configuration)

GD60 monitor suspension system with extension arm, spring arm and monitor support for multiple monitors or one large screen up to 60"

Made in Germany

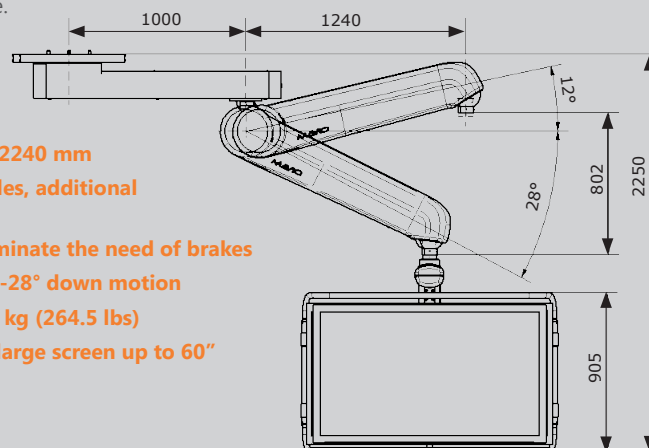


GD60 – Monitor Suspension System with Extension Arm

The extended arm version of the GD60 allows monitors to be hung at a greater distance. This frees up ceiling space around the patient table and also keeps the system out of the sterile zone when needed.

The GD60's patented cardanic joint and none electrical movement continues to provide optimal collision protection and is virtually maintenance free.

- Maximum suspension arm reach of 2240 mm
- Internal cabling includes power cables, additional video or data cables possible
- Friction adjustable arm joints to eliminate the need of brakes
- Stationary mounted with +12° up / -28° down motion
- Weight load capacity of up to 120.0 kg (264.5 lbs)
- Supports multiple monitors or one large screen up to 60"



MAVIG GmbH

X-Ray Protection and Medical Suspension Systems

Stahlgruberring 5
81829 Munich
Germany

Phone +49 (0) 89 / 420 96 - 0
Fax +49 (0) 89 / 420 96 - 200
e-Mail info@mavig.com
www.mavig.com

ТОВ "ОНКОМЕДИКА"

Уповноважений представник в Україні
01014, Україна, м. Київ,
вул. Звіринецька, 63
+38 (044) 228 84 17
+38 (097) 959 10 89
info@oncomedica.ua
www.oncomedica.ua
www.mavig.com.ua