

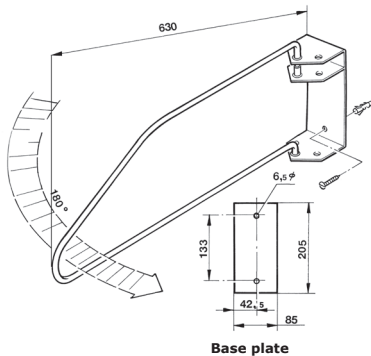
# Wall System AW421



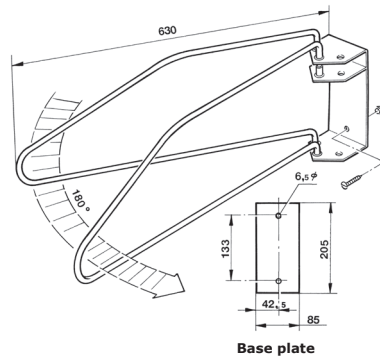
AW4211 AW4213



AW4212 with left stop AW4212 with right stop



Base plate



Base plate

- AW4211** Wall system for 1 article of clothing
- AW4213** Wall system for 3 articles of clothing

- AW4212R** Wall system for 2 articles of clothing *with right stop*
- AW4212L** Wall system for 2 articles of clothing *with left stop*

## AW421 – Storage System for X-Ray Protective Clothing

**The wall system with top marks for user-friendliness and storage space.**

Up to three swivelling chrome bars offer you a range of operation of up to 180°. In order to create space in the room, a maximum of two bars can be folded to one side. The systems AW4212R (right) and AW4212L (left) differ in the side of the stop position. In the case of the system AW4213 for three aprons, the bars have to be spread to the right and the left side.

The base plate is painted in medico-white (RAL 9002), the swivel bars are chromeplated.

### Technical Data

	AW4211	AW4212R	AW4212L	AW4213
<b>Weight</b>	1.2 kg	1.7 kg	1.7 kg	2.2 kg
<b>Max. Load</b>	12 kg	24 kg	24 kg	36 kg
<b>Hanging Capacity</b>	1*	2*	2*	3*
<b>Dimensions (base plate)</b>	205 x 85 mm	205 x 85 mm	205 x 85 mm	205 x 85 mm
<b>Projection (swivel bar)</b>	630 mm	630 mm	630 mm	630 mm
<b>Colour</b>	medico-white (RAL 9002)	medico-white (RAL 9002)	medico-white (RAL 9002)	medico-white (RAL 9002)

\*X-ray protective aprons / coats / suits

### MAVIG GmbH

X-Ray Protection and Medical  
Suspension Systems  
Stahlgruberring 5 81829  
Munich Germany  
PO Box 82 03 62  
81803 Munich  
Germany  
Phone +49 (0) 89 / 420 96 -  
0 Fax: + 49 (0) 89 / 420 96 -  
200 e-Mail  
info@mavig.com  
www.mavig.com

**ТОВ „ОНКОМЕДИКА“**  
**Уповноважений**  
**представник в Україні**  
01014, Україна, м. Київ, вул.  
Звіринецька, 63  
+38 (044) 228 84 17  
+38 (097) 959 10 89  
info@oncomedica.ua  
www.oncomedica.ua