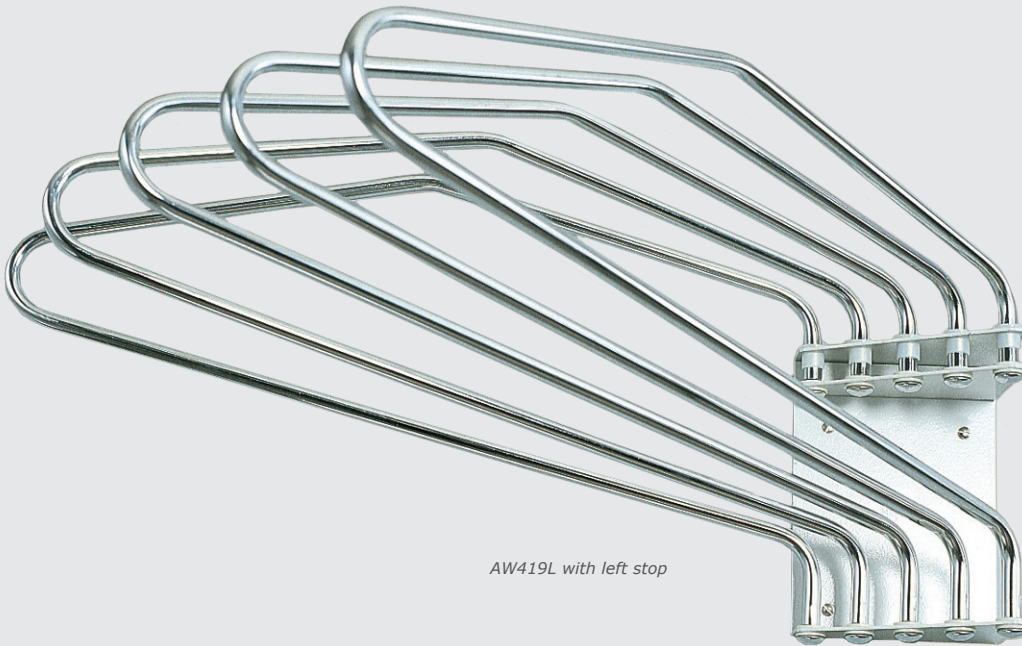
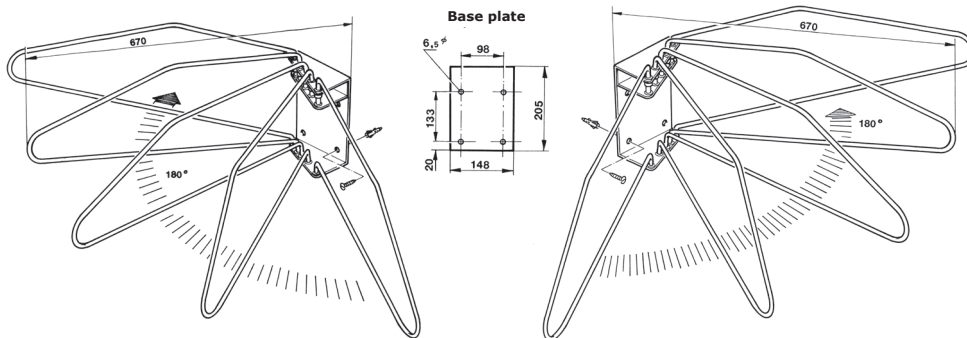


# Wall System AW419

MAVIG



AW419L with left stop



AW419R with right stop

- AW419R** Wall system for 5 articles of clothing *with right stop*
- AW419L** Wall system for 5 articles of clothing *with left stop*

## AW419 – Storage System for X-Ray Protective Clothing

### The wall system with top marks for user-friendliness and storage space.

The five swivelling chrome bars offer you a range of operation of 180°. In contrast, when folded parallel to one another against the wall, the hangers create space for the room.

Do you need a wall system for up to 10 items of clothing which makes optimum use of the space and provides greatest convenience for the user? Then a combination of the AW419R and AW419L systems is ideal. The base plate form enables the seamless installation of both racks next to one another.

The base plate is painted in medico-white (RAL 9002), the swivel bars are chromeplated.

### Technical Data

<b>Weight / Max. Load</b>	<b>4.3 kg / 60.0 kg</b>
<b>Hanging Capacity</b>	<b>5 X-ray protective aprons / coats / suits</b>
<b>Dimensions / Projection</b>	<b>205 x 148 mm / 670 mm</b>
<b>Colour</b>	<b>Medico-White (RAL 9002)</b>

### MAVIG GmbH

X-Ray Protection and Medical  
Suspension Systems  
Stahlgruberring 5 81829 Munich  
Germany  
PO Box 82 03 62  
81803 Munich  
Germany  
Phone +49 (0) 89 / 420 96 -0  
Fax: + 49 (0) 89 / 420 96 - 200  
e-Mail

info@mavig.com

www.mavig.com

### ТОВ „ОНКОМЕДИКА“

**Уповноважений представник  
в Україні**

01014, Україна, м. Київ, вул.  
Звіринецька, 63

+38 (044) 228 84 17

+38 (097) 959 10 89

info@oncomedica.ua

www.oncomedica.ua