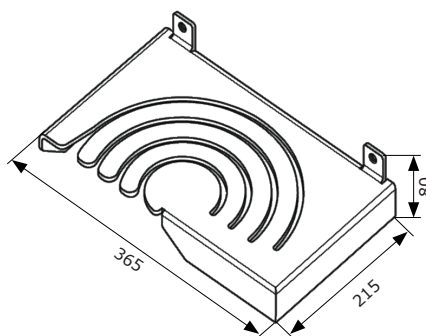


Wall System AW417



AW417 with stored gonadal aprons

AW417 Wall system for 4 MAVIG gonadal aprons from the series RP643

Wall System AW417

The correct way to store your gonadal aprons

As the aprons are clearly arranged, you can determine the correct apron size for your patient and take the appropriate apron from the wall system without having to remove other aprons.

High-quality, aluminum construction in the colour Cool White (RAL 9016).

Technical Data

Net Weight / Load Capacity	1.3 kg / 5.0 kg (set of gonadal aprons)
Max. Capacity	4 gonadal aprons, different sizes
Dimensions	80 mm x 365 mm x 215 mm
Colour	Cool White (RAL 9016)

MAVIG GmbH

X-Ray Protection and Medical
Suspension Systems
Stahlgruberring 5 81829 Munich
Germany
PO Box 82 03 62
81803 Munich
Germany
Phone +49 (0) 89 / 420 96 - 0
Fax: + 49 (0) 89 / 420 96 - 200
e-Mail

info@mavig.com
www.mavig.com

ТОВ „ОНКОМЕДІКА“

**Уповноважений
представник в Україні**
01014, Україна, м. Київ, вул.
Звіринецька, 63
+38 (044) 228 84 17
+38 (097) 959 10 89
info@oncomedica.ua
www.oncomedica.ua