

**Article Codes:** OT50011  
E-OT25B22

Shield complete with Portegra2 Suspension Arm (extension arm length 75 cm), including non-electrical, preset Portegra2 suspension arm (OT50U050) Replacement Shield and Connection Bar

IEC 60601-1

Made in Germany

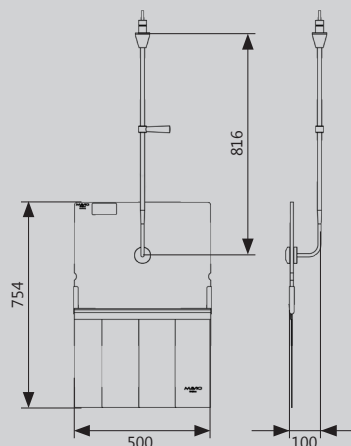


## OT50011 – X-Ray Protective Shield

MAVIG's products are designed to offer solid protection and optimized functionality. The high quality acrylic shield allows for an excellent transmittance and unimpeded view. All edges and corners have been rounded and shatter-proof materials are used to minimize risk of injury.

MAVIG's patented Portegra2 suspension arm provides its industry known safety features and movement flexibility. The centrally guided shield with flexible lead rubber panels can be easily positioned over the patient and quickly removed in case of an emergency.

- **Lead Acrylic Shield** WxH: 50 x 39 cm (19.7 x 15.4 in), transparent
- **Centrally guided, with detachable and height-adjustable handle**
- **Flexible lead rubber panels in hygienic PVC cover**
- **Lead Equivalent** Pb 0.50 mm
- **OT50001** Extension / Spring Arm  
Lengths: 75 cm / 91 cm (29.5 in / 35.8 in)  
Colour: RAL 9002
- **Weight** 8.7 kg (19.2 lbs)



### MAVIG GmbH

X-Ray Protection and Medical  
Suspension Systems  
Stahlgruberring 5  
81829 Munich  
Germany  
PO Box 82 03 62  
81803 Munich  
Germany  
Phone +49 (0) 89 / 420 96 - 0  
Fax: + 49 (0) 89 / 420 96 - 200  
e-Mail info@mavig.com  
www.mavig.com  
**ТОВ „ОНКОМЕДИКА“**  
**Уповноважений**  
**представник в Україні**  
01014, Україна, м. Київ, вул.  
Звіринецька, 63  
+38 (044) 228 84 17  
+38 (097) 959 10 89  
info@oncomedica.ua  
www.oncomedica.ua  
www.mavig.com.ua