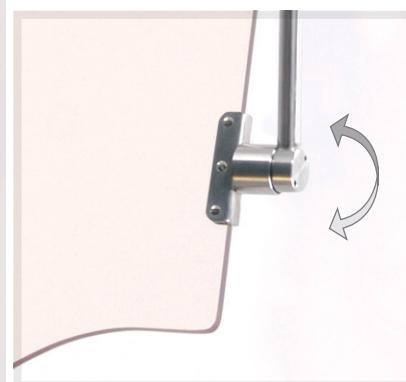
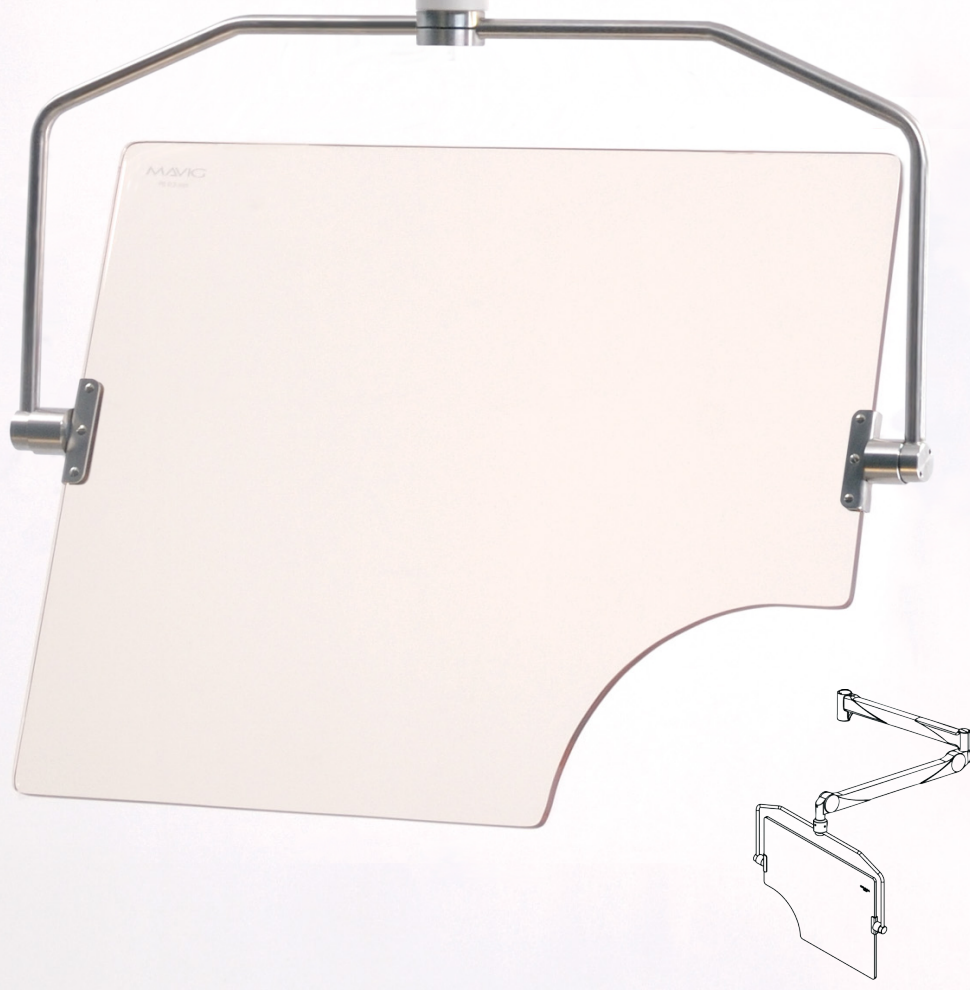




OT50003

MAVIG



Article No.: **OT50003** X-ray protective shield with Portegra2 suspension arm (extension arm length: 75 cm)
E-OT40B04 Lead acrylic shield / sparepart: 760 x 600 mm, Pb 0.50 mm, laterally guided, with a patient contour cut-out for positioning over the patient

IEC 60601-1
 Made in Germany

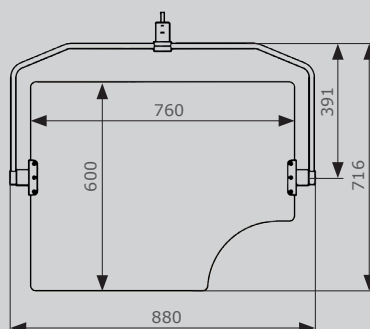


OT50003 – X-Ray Protective Shield with Suspension Arm

MAVIG's products are designed to offer solid protection and optimized functionality. The high quality lead acrylic shield allows for an excellent transmittance and unimpeded view. All edges and corners have been rounded and shatter-proof materials are used to minimize risk of injury.

MAVIG's patented Portegra2 suspension arm provides its industry known safety features and movement flexibility. The laterally guided shield with a special patient cut-out can be easily positioned over the patient and quickly removed in case of an emergency.

- **OT50003** X-ray protective shield (OT40B04) with preset Portegra2 suspension arm (OT50U020), consisting of 75 cm extension and 91 cm spring arm
- **Acrylic Shield** Size: 76 x 60 cm (29.9 x 23.6 in)
- **Lead Equivalent** Pb 0.50 mm



MAVIG GmbH
 X-Ray Protection and Medical Suspension Systems
 Stahlgruberring 5
 81829 Munich
 Germany
 PO Box 82 03 62
 81803 Munich
 Germany
 Phone +49 (0) 89 / 420 96 - 0
 Fax: + 49 (0) 89 / 420 96 - 200
 e-Mail info@mavig.com
 www.mavig.com
ТОВ „ОНКОМЕДИКА“
Уповноважений представник в Україні
 01014, Україна, м. Київ, вул. Звіринецька, 63
 +38 (044) 228 84 17
 +38 (097) 959 10 89
 info@oncomedica.ua
 www.oncomedica.ua
 www.mavig.com.ua