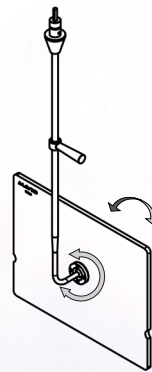


X-Ray Protective Shields OT50002 & OT90002

MAVIG



- OT50002** Shield complete with Portegra2 Suspension Arm (Extension arm length 75 cm)
- OT90002** Shield complete with Portegra2 Suspension Arm (Extension arm length 95 cm)
- E-OT25B08** Replacement shield with connection piece

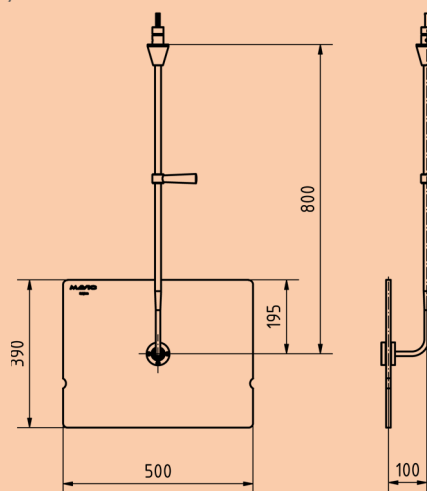
CE, IEC 60601-1
Made in Germany

MAVIG X-Ray Protective Shields – OT50002 & OT90002

MAVIG's products are designed to offer solid protection and optimized functionality. The high quality acrylic shield allows for an excellent transmittance and unimpeded view. All edges & corners have been rounded and shatter-proof materials are used to minimize risk of injury.

MAVIG's patented Portegra2 suspension arm provides its industry known safety features and movement flexibility. Combined with the centrally guided, compact shield, the system can be freely positioned over the patient and quickly removed in case of an emergency.

- **Lead Acrylic Shield:** 50 x 39 cm (19.7 x 15.4 in)
- **Lead Equivalent:** Pb 0.50 mm
- **OT50002:** Extension/Spring Arm
75 cm / 91 cm (29.5 in / 35.8 in)
Colour RAL 9002
- **OT90002:** Extension/Spring Arm
95 cm / 91 cm (37.4 in / 35.8 in)
Colour RAL 9002



MAVIG GmbH
X-Ray Protection and Medical
Suspension Systems
Stahlgruberring 5
81829 Munich
Germany
PO Box 82 03 62
81803 Munich
Germany
Phone +49 (0) 89 / 420 96 - 0
Fax: + 49 (0) 89 / 420 96 - 200
e-Mail info@mavig.com
www.mavig.com
ТОВ „ОНКОМЕДИКА“
Уповноважений
представник в Україні
01014, Україна, м. Київ, вул.
Звіринецька, 63
+38 (044) 228 84 17
+38 (097) 959 10 89
info@oncomedica.ua
www.oncomedica.ua
www.mavig.com.ua