

MD-69

Mobile Accessories Cart



MAVIG



MD-69 Mobile Accessories Cart with Rail for Control Panels and other Devices

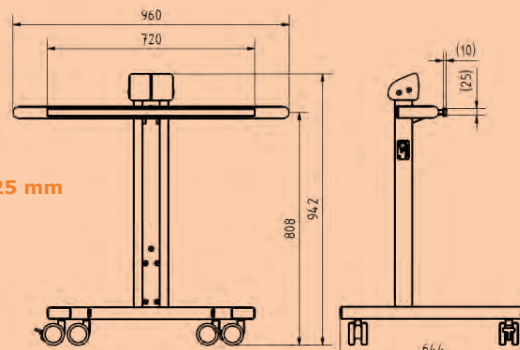
CE

Made in Germany

Mobile Accessories Cart – Model MD-69

The mobile accessories cart MD-69 from MAVIG can easily hold any device which can be attached to a 10 x 25 mm rail; such as the control panels of a C-arm. The cart can be moved to different locations in the room, for example to maximize the distance of the medical staff from the source of x-ray radiation.

- **Special base design that requires minimal space yet still provides maximum tip-resistance**
- **Smooth electroconductive rolling casters for easy maneuverability**
- **Two brakes to secure cart in place**
- **Frame in medico-white (RAL 9002)**
- **Flat profile DIN rail for equipment support: 10 x 25 mm**
- **Maximum load capacity: 8.5 kg / 18.7 lbs**
- **Dimensions: 94.2 x 96.0 x 64.4 cm (H x W x D)**



MAVIG GmbH

X-Ray Protection and Medical
Suspension Systems
Stahlgruberring 5
81829 Munich
Germany
PO Box 82 03 62
81803 Munich
Germany
Phone +49 (0) 89 / 420 96 - 0
Fax: + 49 (0) 89 / 420 96 - 200
e-Mail info@mavig.com
www.mavig.com

ТОВ „ОНКОМЕДИКА“
Уповноважений
представник в Україні
01014, Україна, м. Київ, вул.
Звіринська, 63
+38 (044) 228 84 17
+38 (097) 959 10 89
info@oncomedica.ua
www.oncomedica.ua
www.mavig.com.ua