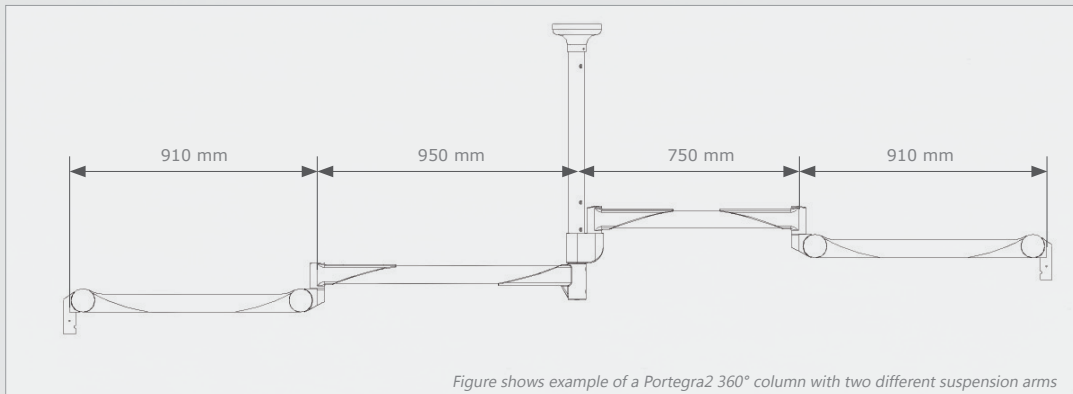


# PT2 – Suspension Arm

electrical for lamps / non electrical



## PORTEGRA<sup>2</sup>



|                        |                  |  |
|------------------------|------------------|--|
| <b>Model Variants:</b> | <b>E-LE75-xx</b> | Portegra2 extension/spring arm, 750 / 910 mm, electrical for lamps |
|                        | <b>E-LE95-xx</b> | Portegra2 extension/spring arm, 950 / 910 mm, electrical for lamps |
|                        | <b>E-OT75-xx</b> | Portegra2 extension/spring arm, 750 / 910 mm, non electrical       |
|                        | <b>E-OT95-xx</b> | Portegra2 extension/spring arm, 950 / 910 mm, non electrical       |



Made in Germany



## MAVIG Portegra2 Suspension Arm (Extension/Spring Arm)

The MAVIG Portegra2 suspension arm provides the mobility needed so that radiation protection and other equipment can always be positioned where required.

**Patented Safety Features:** A sophisticated safety collar prevents the separation of the connection joint. This is combined with our safety spring to keep the connection from loosening, allowing a long and trouble-free product life. As well, a defined breaking point, including an internal safety steel cable, provides controlled safety even in case of heavy collision with other equipment.

### ELECTRICAL FOR LAMPS

Article number      Weight load range

|               |                |                   |
|---------------|----------------|-------------------|
| E-LE75-3570   | 3.5 - 7.0 kg   | (7.7 - 15.4 lbs)  |
| E-LE75-70120  | 7.0 - 12.0 kg  | (15.4 - 26.5 lbs) |
| E-LE75-120180 | 12.0 - 18.0 kg | (26.5 - 39.7 lbs) |

### NON ELECTRICAL

Article number      Weight load range

|               |                |                   |
|---------------|----------------|-------------------|
| E-OT75-3570   | 3.5 - 7.0 kg   | (7.7 - 15.4 lbs)  |
| E-OT75-70120  | 7.0 - 12.0 kg  | (15.4 - 26.5 lbs) |
| E-OT75-120180 | 12.0 - 18.0 kg | (26.5 - 39.7 lbs) |

|               |                |                   |               |                |                   |
|---------------|----------------|-------------------|---------------|----------------|-------------------|
| E-LE95-3570   | 3.5 - 7.0 kg   | (7.7 - 15.4 lbs)  | E-OT95-3570   | 3.5 - 7.0 kg   | (7.7 - 15.4 lbs)  |
| E-LE95-70120  | 7.0 - 12.0 kg  | (15.4 - 26.5 lbs) | E-OT95-70120  | 7.0 - 12.0 kg  | (15.4 - 26.5 lbs) |
| E-LE95-120150 | 12.0 - 15.0 kg | (26.5 - 39.7 lbs) | E-OT95-120150 | 12.0 - 15.0 kg | (26.5 - 39.7 lbs) |

### MAVIG GmbH

X-Ray Protection and Medical  
Suspension Systems  
Stahlgruberring 5  
81829 Munich  
Germany  
PO Box 82 03 62  
81803 Munich  
Germany  
Phone +49 (0) 89 / 420 96 - 0  
Fax: + 49 (0) 89 / 420 96 -  
200 e-Mail info@mavig.com  
www.mavig.com

**ТОВ „ОНКОМЕДІКА“**  
**Уповноважений**  
**представник в Україні**  
01014, Україна, м. Київ, вул.  
Звіринецька, 63  
+38 (044) 228 84 17  
+38 (097) 959 10 89  
info@oncomedica.ua  
www.oncomedica.ua  
www.mavig.com.ua